

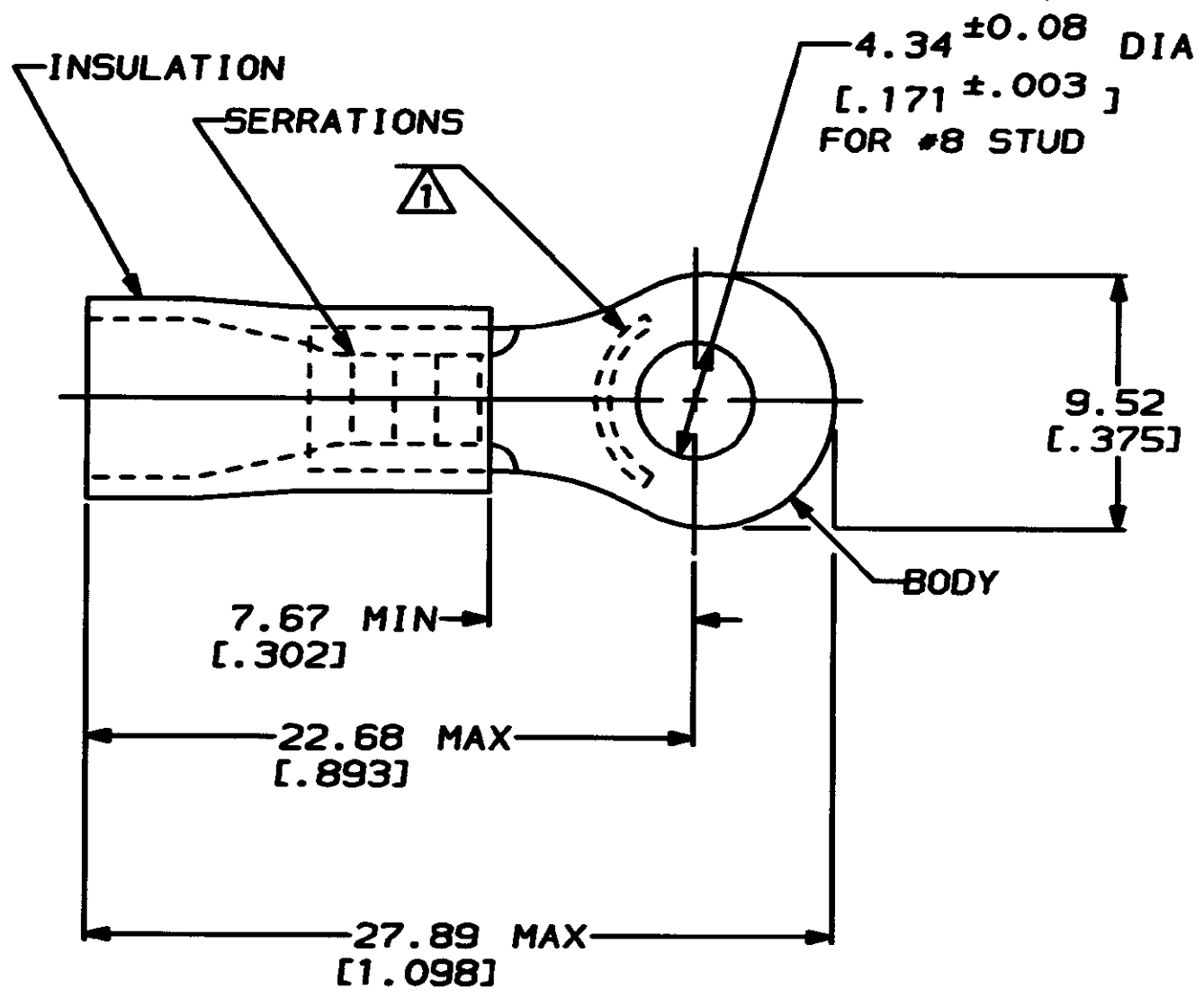
DRAWING MADE IN THIRD ANGLE PROJECTION

THIS DRAWING IS UNPUBLISHED. RELEASED FOR PUBLICATION ,19 .
 © COPYRIGHT 19 BY AMP INCORPORATED. ALL INTERNATIONAL RIGHTS RESERVED.

| LOC | DIST | ZONE | LTR | REVISIONS | DATE | APPD |
|-----|------|------|-----|--------------------|------|------|
| G | 14 | | F | REV / 0720-0071-93 | 5/89 | ME |

| | | |
|--------------------------------|--------------------------------|--------------------------------|
| AMP WIRE RANGE | Listed | Certified |
| 12-10 AWG SOLID OR STRANDED | 12-10 AWG SOLID OR STRANDED | 12-10 AWG SOLID OR STRANDED |

METRIC
 DIMENSIONS LISTED IN mm [INCHES]



- △ STAMP AMP 12-10* APPROX AS SHOWN
- 2 WIRE INSULATION DIA: .150-.230
- 3 TONGUE MATERIAL THK: 1.02±0.05 [.040±.002]

| 50 | LOOSE PC, BOX | 8-34169-2 |
|----------|---------------|-----------|
| 2500 | ON TAPE, REEL | 2-34169-1 |
| - | LOOSE PIECE | 34169 |
| QUANTITY | PACKAGE TYPE | PART NO |

AMP INCORPORATED
CUSTOMER SERVICE SYSTEMS

| | |
|--|--|
| FOR ADDITIONAL PRODUCT INFORMATION OR COPIES OF DRAWINGS AND TECHNICAL DOCUMENTS | PRODUCT INFORMATION CENTER 1-800-522-6752 |
| FOR APPLICATION TOOLING INFORMATION | TOOLING ASSISTANCE CENTER 1-800-722-1111 |
| FOR ORDER ENTRY | 1-800-526-5142 |

MAX RECOMMENDED OPERATING TEMPERATURE:
 90°C MAX

VOLTAGE RATING:
 NOT APPLICABLE

CIRCULAR MIL AREA:
 2.62-6.64mm² [5, 180-13, 100]
 SOLID OR STRANDED

DO NOT SCALE PRINT. UNLESS SPECIFIED DIMENSIONS ON DIMENSIONED TOLERANCES ON:
 2 PLC DEC ± 0.20(.008)
 3 PLC DEC ± -
 ANGLES ± -

MATERIAL
 COPPER PER ASTM B-152
 PVC COLOR: YELLOW

FINISH
 TIN PLATE
 PER MIL-T-10727

OR 68/62/52 BK SCREEN
 CHK 11/16/92 RE HERSEY
 APPD 11/16/92 JL ELLIS
 APPD 11/16/92 H SHENBA
 PRODUCT SPEC
 108-1034

APPLICATION SPEC
 NOT AVAILABLE

WEIGHT -

AMP AMP Incorporated
 Harrisburg, PA 17105-3608

NAME
 TERMINAL, RING TONGUE, PLASTI-GRIP™

| | | |
|-------|-----------|------------|
| SIZE | CAGE CODE | DRAWING NO |
| B | 00779 | C-34169 |
| SCALE | SHEET | |
| 4:1 | 1 OF 1 | |

THIS DRAWING IS A CONTROLLED DOCUMENT FOR AMP INCORPORATED. IT IS SUBJECT TO CHANGE AND THE CONTROLLING ENGINEERING ORGANIZATION SHOULD BE CONTACTED FOR THE LATEST REVISION.